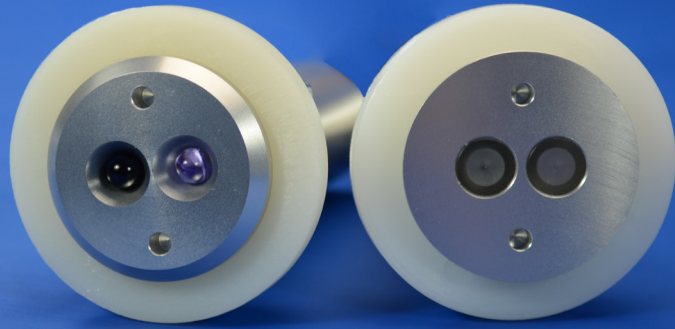
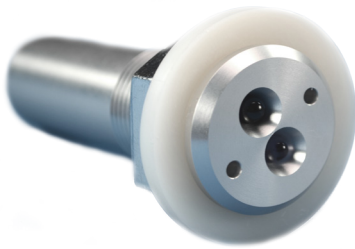


**Reflex light barrier
LBHP**

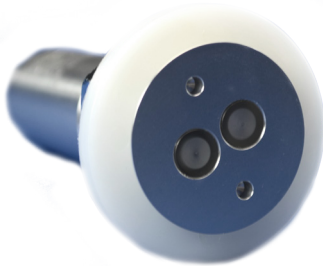
LBHP Series



The reflex light barrier series LBHP is mounted in Toilet cabins to control on taps aterbasins.



LBHP 6



LBHP 7

Technical Data

Housing material	Al Mg Si 0.5
Potting compounds	VU 4452/41 SV-HF, polyurethane
Housing color	aluminum, anodized
Thread	M24 x 1,5; l = 26 mm
Hex nut	DIN 936, M24 x 1,5, wrench size 36mm
Tightening torque	10 -15 Nm, rec. 12 Nm
Wascher	DIN 125, polyamide, 44/25mm
Mounting hole	Ø 26 mm
Trip distance	100 - 200 mm ± 15mm
Filter	day light filter
Power supply	24VDC ± 30%, Reverse Polarity Protection
Input current	appr. 10 mA, max. 250 mA
Output	24 VDC; max 1A; integrated overload protection
Pin- configuration	1 = 24 VDC, 2 = ground, 3 = output signal, 4 = N.C.
Connection cable, lenght	200 mm
No. of wire, cross-section	3 x 0,75 mm ²
Connection plug	AMP mini 172338-1; male; 4 pol
Mating connector	AMP mini 794939-1; female; 4 pol
Switch-on delay	0...1600 sec. Res.: 0,05 sec, typ. 0,3 sec. (adjustible)
Trailing time (without detiction)	0...1600 sec. Res.: 0,05 sec, typ. 0,3 sec. (adjustible)
Max. run time (with detection)	0...1600 sec. Res.: 0,05 sec, typ. 10,0 sec. (adjustible)
Blocking time, after max. term	0...1600 sec. Res.: 0,05 sec, typ. 1,0 sec. (adjustible)
Release after re-detection	0...1600 sec. Res.: 0,05 sec, typ. 0,5 sec. (adjustible)
Rules	EN 50155, EN 50121, DIN 5510, EN 61000, EN 60068 , (EN 45545 in preparation)
Protection class	IP 65
Store temperature	-40...+85°C/ 95% r.h., non condensing
Operating ttemperature	-40...+70°C/ 95% r.h., non condensing
Lifetime	> 10 years acc. MIL HDBK 217-F Parts Stress Method
Warrenty	1 year

On request it is possible to deliver OEM versions with individual identification.

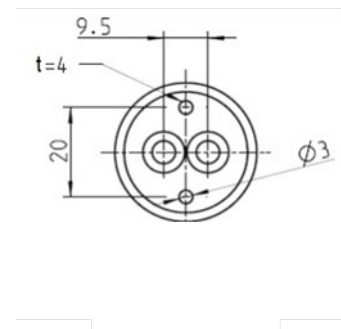
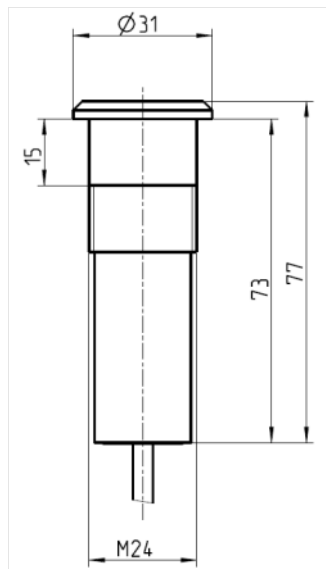
Configurations

LBHP6 is designed for drop-on installation. With the open optics the maximum operating range is achieved.

LBHP 7 is provided for the immerse assembly. The flush covers of the optics ensure a smooth surface.

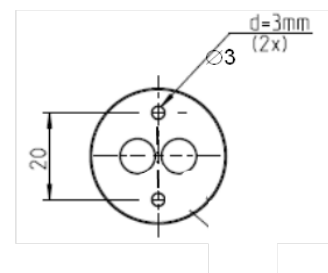
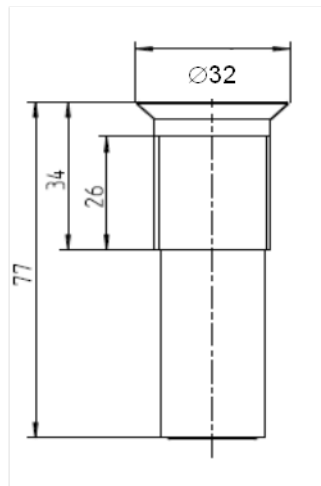
LBHP 6

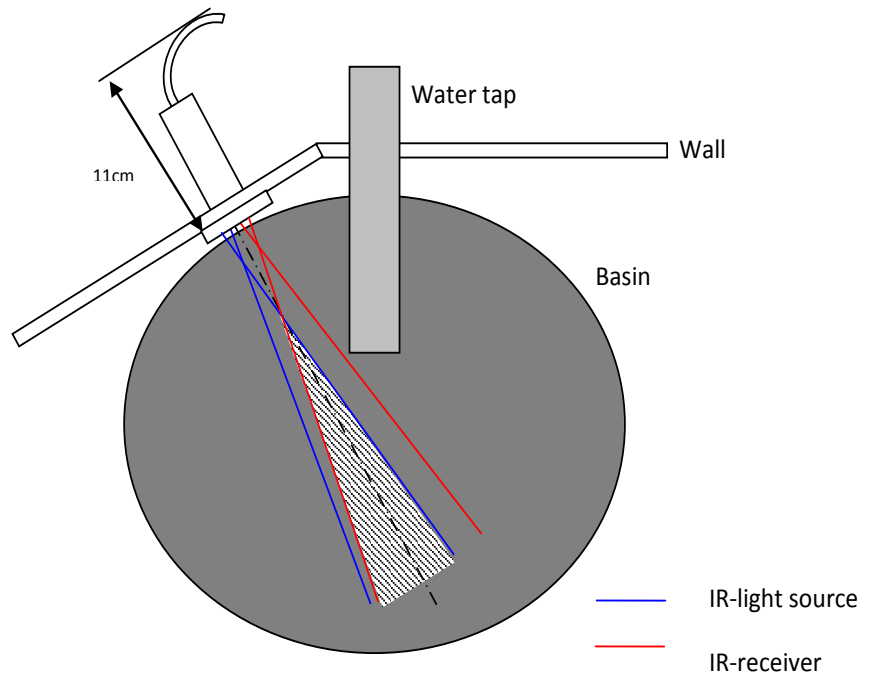
Trip distance	100 - 200 mm \pm 15 mm
Assembly	drop-on
Dimensions	\varnothing 31 mm, length 77 mm
Weight	appr. 125g



LBHP 7

Trip distance	100 mm \pm 15 mm
Assembly	immerse
Dimensions	\varnothing 32 mm, length 77 mm
Weight	appr. 125 g





When installing the LBHP be care, that no disturbing reflections caused by stainless steel wash bassin, other metallic objects or even the tap.

- The horizontal installation of LBHP is mandatory. The trip distance is set at the factory.
- The trigger area may not capture the water jet.

LBHP_1.0_eng



m-u-t GmbH
 Am Marienhof 2
 D- 22880 Wedel
 Germany

+49 4103 9308 - 0
 +49 4103 9308 - 99
 transportation@mut-group.com
 www.mut-group.com/de/transportation

Copyright m-u-t GmbH. The m-u-t logo is a registered trademark of m-u-t GmbH. All rights reserved. All company and product names are trademarks and/or registered trademarks of their respective owners. Features, pricing, availabilities and specifications are all subject to change without notice.