

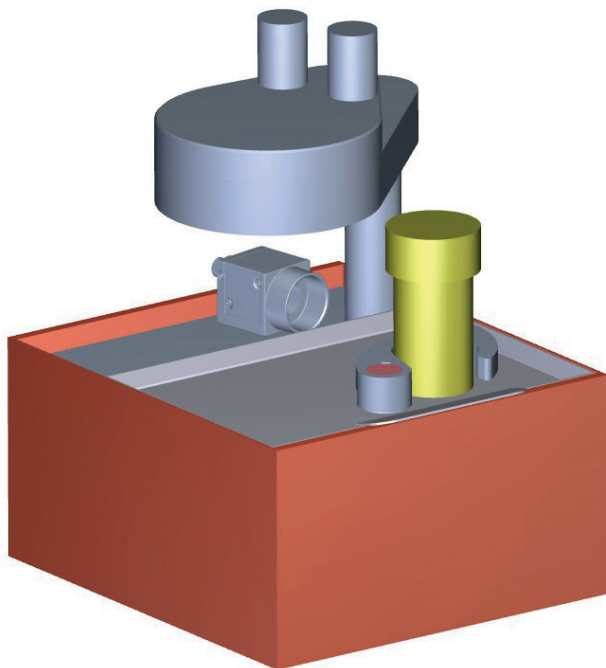


MEMBER OF THE NYNOMIC GROUP

Concepts

Small Re- and Decapper

This concept describes a small decapper and recapper unit that is so small that it can be used in many different marketable laboratory automation systems. The module is designed for opening and closing tubes with a very wide range of different diameters. Other functions that are necessary for a smooth process in your overall system, such as the automatic recognition of the vial type and its geometry as well as the reading of the barcode information, are just as important as a very easy and hygienic cleanability.



m-u-t GmbH
Am Marienhof 2
22880 Wedel
Germany

☎ +49 4103 9308 - 0
☎ +49 4103 9308 - 99
@ info@mut-group.com
🌐 www.mut-group.com

Copyright m-u-t GmbH. Das m-u-t Logo ist eine eingetragene Handelsmarke der m-u-t GmbH. Alle Rechte vorbehalten. Alle Firmen- und Produktnamen sind Handelsmarken und/oder registrierte Handelsmarken der entsprechenden Eigentümer. Sonderfunktionen, Preise, Verfügbarkeiten und Spezifikationen können sich ändern.